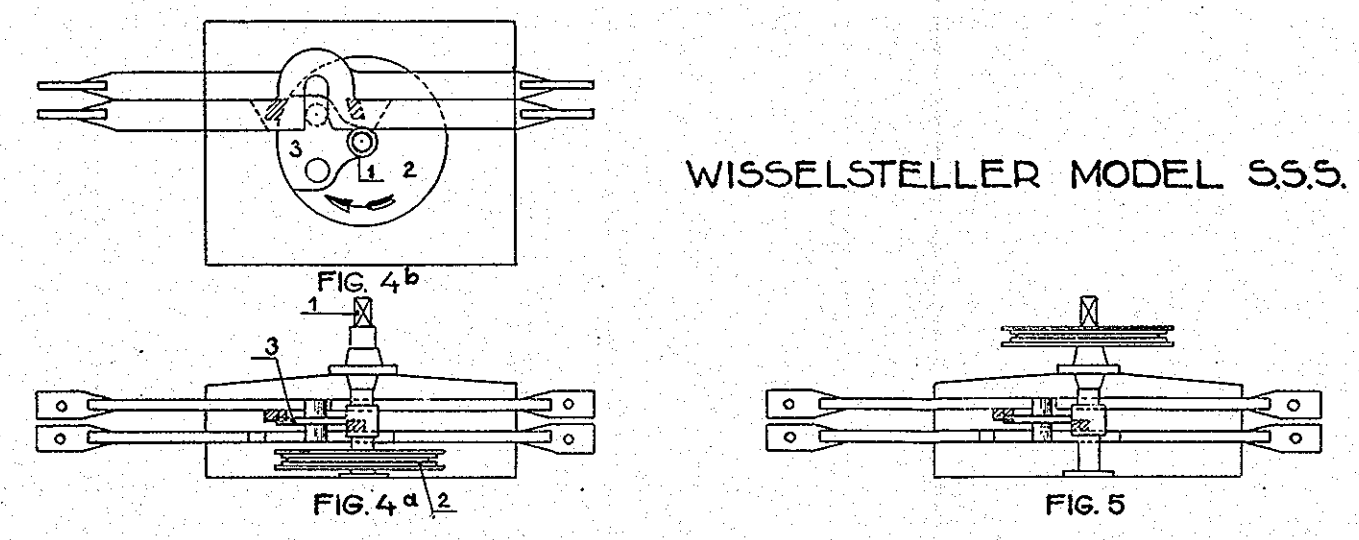
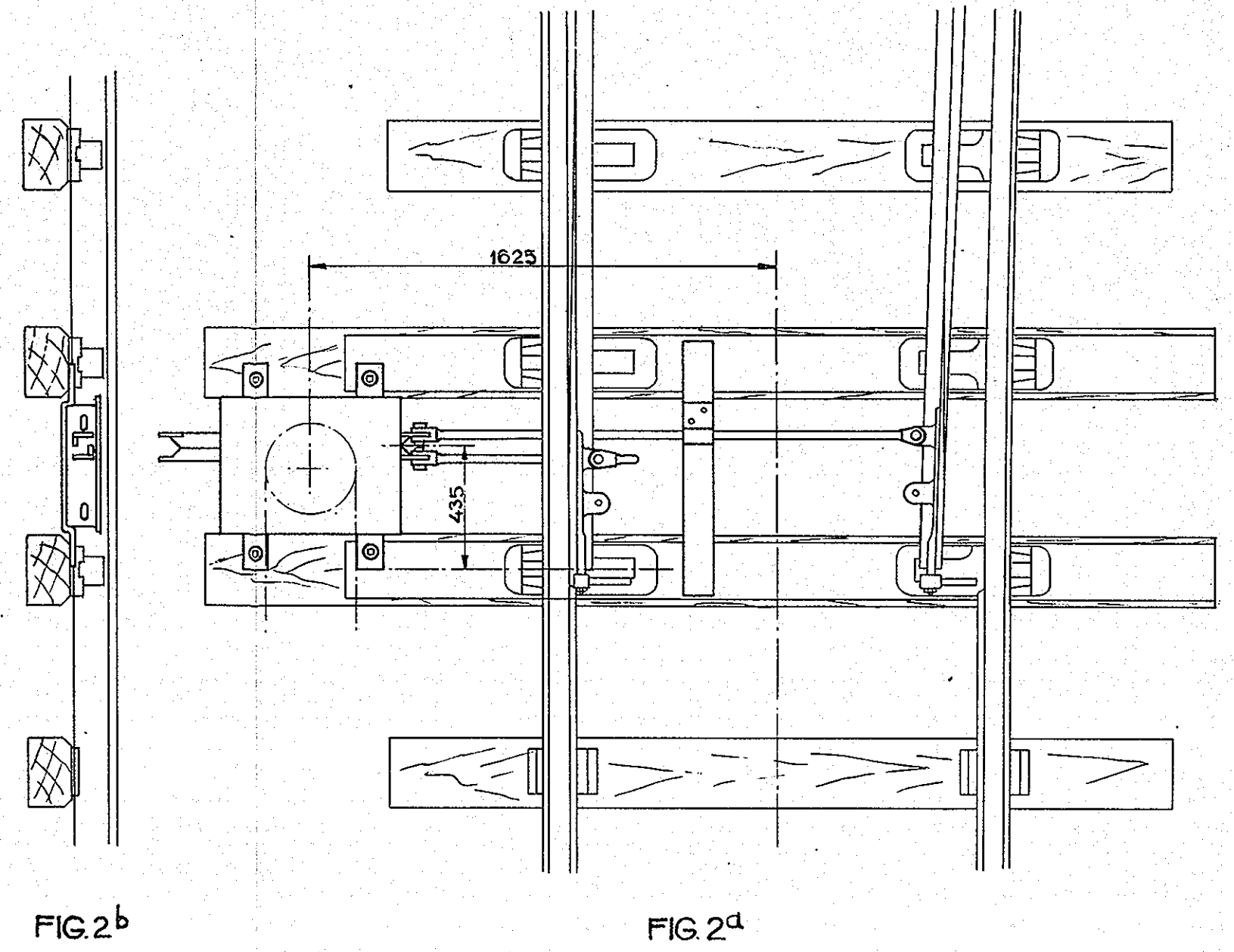
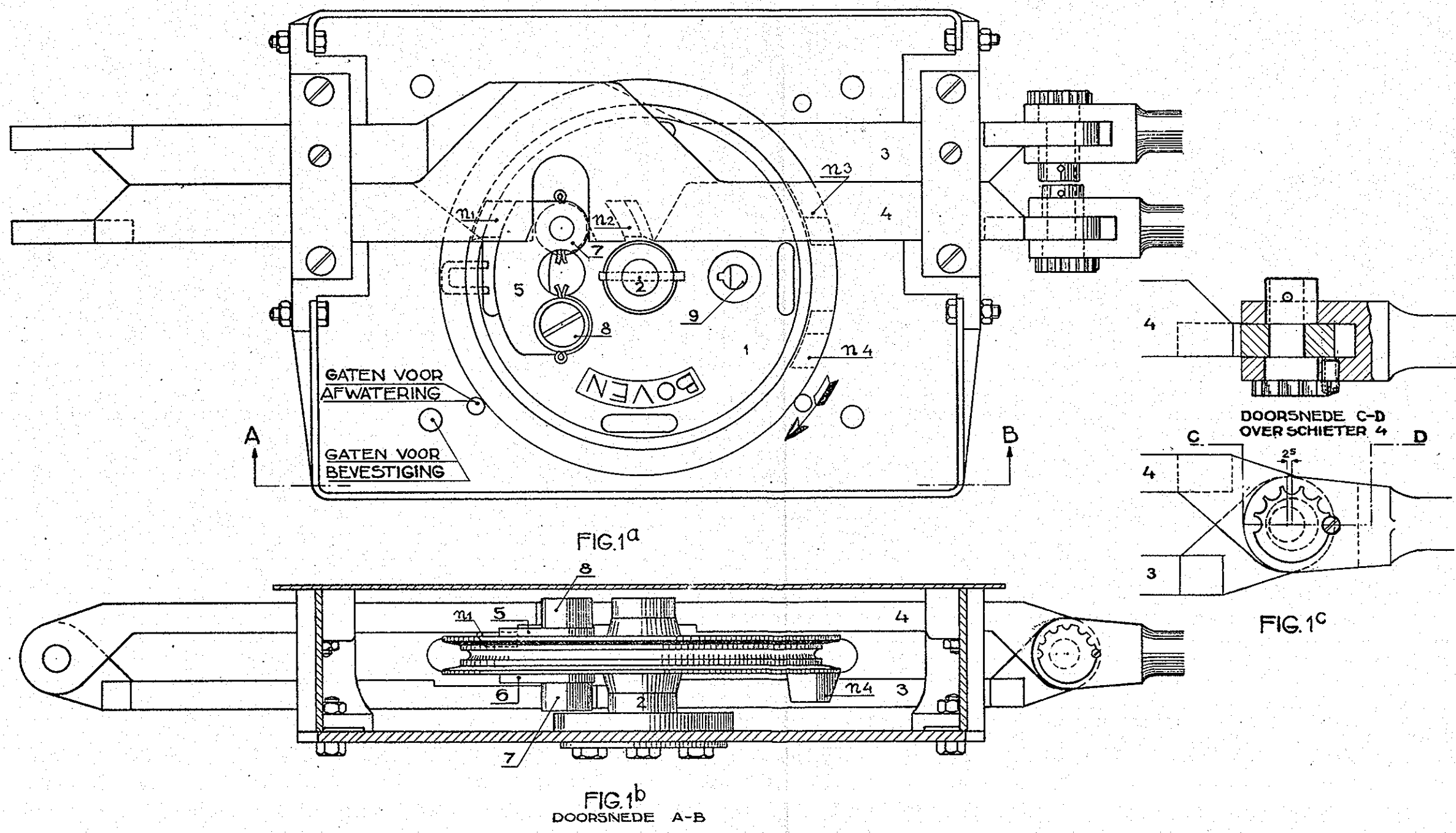


OPENRUDBARE N.S.-WISSELSTELLER  
1<sup>E</sup> BLAD



WISSELSTELLER MODEL S.S.5.

